



STANDBY GENERATORS

16-20kW¹ STANDBY GENERATORS



MORE CHOICES. MORE FEATURES. MORE VALUE.

Protect your customers' home and family from power outages with the Briggs & Stratton® 16kW¹/20kW¹ home generator systems. Perfect for medium-to-large homes, we provide you with reliable power and flexible options to meet your customers' home's power needs.

Briggs & Stratton has been providing reliable engine power for more than 100 years. Trust the proven power experts at Briggs & Stratton for complete peace of mind.

To learn more, visit www.powernow.com.

FEATURES AND BENEFITS

Flexible Placement

Tested against tough National Fire Protection Agency standards, Briggs & Stratton 16kW¹/20kW¹ standby generators can be as close as 18" from the home providing more placement options in your yard³ - perfect for tight lot lines.

Reliable Engine Power

Our standby generators are powered by commercial-grade Vanguard™ engines that are design-engineered to dependably take on the most demanding jobs.

More Affordable Whole-House Power

With Symphony® II Power Management, you can select up to eight high-wattage appliances based on your family's specific power needs. It then manages the distribution of power from the generator to those appliances — automatically. This load management ensures the generator won't overload so your family can continue with its daily routine uninterrupted.

Additionally, the Symphony® II Power Management transfer switch is wired into your home's existing wiring, where it monitors your home's electrical circuits, so you save even more on the cost of installation.

4 Year Limited Parts and Labor Warranty²

At Briggs & Stratton, we stand behind our warranty and make it easy for our customers to work with us.

GENERATOR SET RATINGS

LIQUID PROPANE GAS		NATURAL GAS		VOLTAGE	POWER FACTOR	PHASE	HZ	BREAKER
kW ¹	AMPS	kW ¹	AMPS					
20	83.3	18	75.0	120/240	1.0	1	60	100
16	67.0	14	60.0	120/240	1.0	1	60	80

FEATURES & BENEFITS

DURABLE ENCLOSURE

Rust-resistant, Galvanneal steel enclosures are made from the same materials and paint process used in the automotive industry, resulting in years of protection against chips and abrasions.

QUICK RESPONSE

Automatically powers your home in seconds after sensing a power outage.

FOCUSED ON PROTECTING YOUR HOME AND FAMILY

Thoroughly tested against National Fire Protection Standards, the 16kW¹/20kW¹ standby generators have a thermally protected fuel system which automatically shuts off the unit in the event of a fire. All-steel enclosure and base endure temperatures more than double that of aluminum and far beyond that of plastic.³

FRONT AIR VENTILATION

Featuring unique airflow technology, the standby generator's design pushes engine exhaust out the front of the unit and directly away from the house.

WHY CHOOSE BRIGGS & STRATTON?

Briggs & Stratton offers a full line of automatic Standby Generators from 8-60kW¹ for protection during a power outage.

TRUSTED BRAND

Briggs & Stratton has been providing reliable engine power for close to 100 years. It's name that your customers know and trust. Customers are confident that Briggs & Stratton products have the power to perform for many years.

RELIABLE PRODUCTS

Field-driven design and extensive testing help ensure that customers are receiving one of the best standby generators available.

Trust the proven power experts at Briggs & Stratton for complete peace of mind.

ENGINE SPECIFICATIONS

16kW¹ / 20kW¹

Engine Model	Briggs & Stratton Vanguard™
Engine Model Type Trim Number	613275-0118-B1
Engine Type	V-Twin, 4-Cycle
Engine Cylinder Configuration	OHV
Number of Cylinders	2, V-Twin
Engine Speed	3600 RPM
Displacement (cu.in./cc)	60.6 / 993
Bore (in)	3.37
Stroke (in)	3.41
Engine Weight (lbs)	125
Engine Fuel	Liquid Propane Gas/Natural Gas
Induction System	Naturally Aspirated
Starter	Industrial Electric Solenoid Shift
Valves	OHV with Hardened Seats
Air Filter Type	Dry Cartridge, UL Approved
Governor Type	Electronic
Frequency Regulation	E-governing control
Start Type	Automatic
Lubrication System	Full Pressure
Recommended Oil	5W30 Full Synthetic
Oil Capacity (oz.)	78
Oil Cooler	Yes
Low Oil Pressure Sensor	Yes
Cooling System Type	Air-cooled
CARB Compliant	Yes

TRANSFER SWITCH SPECIFICATIONS (OPTIONS)

Current Rating	Symphony® II 100A or 200A or 2 x 200A (20kW ¹ Only)
UL Approved	Yes
Voltage Ratings	120/240
Wired Whip	No
Number of Protected Circuits	Essential Circuits Plus (16 circuits) or Managed Whole House

WEIGHT AND DIMENSIONS

16kW¹

20kW¹

Assembled Weight (lbs)	484	500
Assembled Dimensions (L x D x H)	47 x 31 x 31" (BASE 50.5 x 32.9")	
Packaged Weight (lbs)	564	580
Packaged Dimensions (L x D x H)	72" x 36" x 39"	

LP GAS FUEL CONSUMPTION ⁴	16kW ¹	20kW ¹
--------------------------------------	-------------------	-------------------

100% Load (ft ³ /hr / gal/hr)	113 / 3.14	135 / 3.75
50% Load (ft ³ /hr / gal/hr)	71 / 1.97	83 / 2.31

NG FUEL CONSUMPTION ⁴	16kW ¹	20kW ¹
----------------------------------	-------------------	-------------------

100% Load (ft ³ /hr)	244	260
50% Load (ft ³ /hr)	163	187

OTHER FEATURES

Enclosure Material	Galvanneal with Corrosion Resistant Paint
Overcrank Protection	Yes
Engine Warm-up (sec)	20s or 50s ATS Jumper Controlled
Engine Cool Down (sec)	1 min.
Response Time (min)	26s or 56s ATS Jumper Controlled
2 Wire Sensing	Yes
Continuous Battery Charging	Yes
Battery	12V, Not included. BCI size 26, battery min 540 CCA; Below 0°F: BCI size 75 battery, min 630 CCA
Monitoring	Wireless, Basic (Sold Separately)

SOUND RATING AT 7 METERS, PER ISO 3744

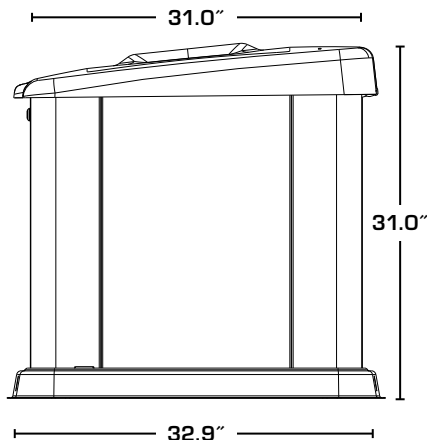
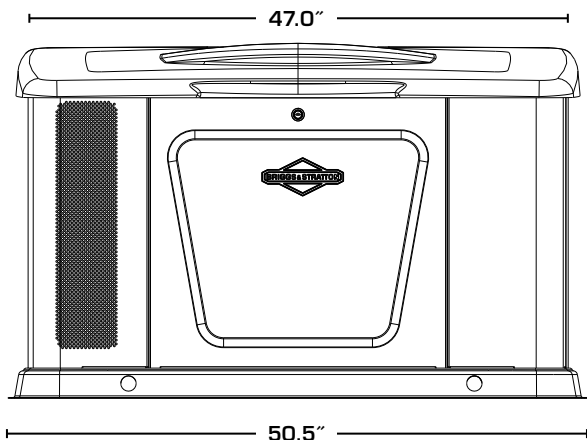
Exercise (dBA)	68
5kW ¹ Load (dBA)	69
10kW ¹ Load (dBA)	70

CERTIFICATIONS

UL	Yes
cUL	Yes

LIMITED WARRANTY²

Warranty Duration (Product)	4 Years
-----------------------------	---------



ALTERNATOR SPECIFICATIONS

Manufacturer	Briggs & Stratton
Type	Self-Excited, Rotating Field
Brushed/Brushless Alternator	Brushed
Voltage Regulation	Automatic
Number of Poles	2
Insulation	Class F

CONTROLLER FEATURES

Hour Meter	Yes
Weekly Exerciser	Yes



CONTROLLER SERVICE CODES

- Remote System Status alerts are communicated to a small wall mountable display with a light indicator and a quick reference to the codes on the generator. The number of blinks represent the fault code issue.
- | |
|--------------------------|
| 1. Low Oil Shutdown |
| 2. Engine Does Not Start |
| 3. Low Frequency |
| 4. Engine Overspeed |
| 5. Low Voltage |
| 6. Low Battery Voltage |
| 7. Engine Temp High |
| 8. Transfer Switch |

INCLUDED EXTRAS

- an integrated system status panel
- hour meter
- battery charger
- oil

Not for Prime Power or use where standby systems are legally required, for serious life safety or health hazards, or where lack of power hampers rescue of fire-fighting operations.

¹ This generator is rated in accordance with UL (Underwriters Laboratories) 2200 (stationary engine generator assemblies)

² Warranty details available at briggsandstratton.com

³ Installations must strictly comply with all applicable codes, industry standards, laws, regulations and provided installation manual. Running engines give off carbon monoxide, an odorless, colorless, poisonous gas so it is important to keep exhaust gas away from any windows, doors, ventilation intakes or crawl spaces. The installation manual contains specific instructions related to generator placement in addition to NFPA 37, including the requirement that carbon monoxide detectors be installed and maintained in your home

⁴ Fuel consumption rates are estimated based on normal operating conditions. Generator operation may be greatly affected by elevation and the cycling operation of multiple electrical appliances – fuel flow rates may vary depending on these factors.

SUPPORT EVERY STEP OF THE WAY

Need help? Just call 800-759-2744. Our technical support team is trained to answer questions on our generators, transfer switches and accessories.

**READY TO PLACE AN ORDER?
OUR TEAM IS READY TO HELP.
CALL 1-87-RELY-ON-US.**

MODEL NUMBERS

TRANSFER SWITCH	16kW ¹	20kW ¹
100A, 16 Circuit	040393	040395
100A, Whole House	040392	040394
150A, Whole House	040483	040484
200A, Whole House	040401	040346
2x200A/400A, Whole House	-	040396

TRANSFER SWITCHES

BRIGGS & STRATTON® TRANSFER SWITCH

Briggs & Stratton® Transfer Switch options for the 16kW¹/20kW¹ standby generators include:

- 100 Amp Symphony® II Transfer Switch
- 150 Amp Symphony® II Transfer Switch
- 200 Amp Symphony® II Transfer Switch
- Dual 200A Symphony® II Whole Home Transfer Switch which is ideal for standard split 400A service homes with two 200A distribution panels.

With Symphony® II Power Management, you can select up to eight high-wattage appliances based on your family's specific power needs. It then manages the distribution of power from the generator to those appliances — automatically. This load management ensures the generator won't overload so your customer's family can continue with its daily routine uninterrupted.

Flexible, indoor or outdoor, transfer switch placement make it convenient to install. All of our weather-resistant transfer switches are NEMA 3R rated for maximum protection against dirt, rain, sleet and snow.

AVAILABLE ACCESSORIES

MAINTENANCE KIT (6036)

Maintenance kits help you complete scheduled and preventative maintenance on your standby generator. Designed specifically for your generator's needs, each maintenance kit contains oil and air filters, an oil funnel and spark plugs.

COLD WEATHER KIT (6231)

Ensure smooth operation in the winter months. The thermostatically controlled battery warmer and oil heater activate as the temperature drops helping the standby generator operate in colder temperatures. The 16kW¹/20kW¹ home generator systems using this kit have been tested to start as low as -25° F. Kit includes two oil warmers and one battery warmer.

BASIC WIRELESS MONITOR (6229)

Easy, trouble-free monitoring is a reality with the new Briggs & Stratton® Basic Wireless Monitor. Place the wireless monitor in your home and know your generator is working without ever having to go outside.